



Run Feng Yuan

RD5/6 (EL)Double Needle Bar Warp Knitting Machine

1: Machine specification:

Guage: E20, E22, E24, E28

Working Width: 90" , 110" , 138", 190", 210"

Bars Number: 5/6*GB

Machine Speed: 20-850r/min

Knock over distance : 1-12MM

Let off : 5/6* EBC

Shogging manner : EL or Pattern disc

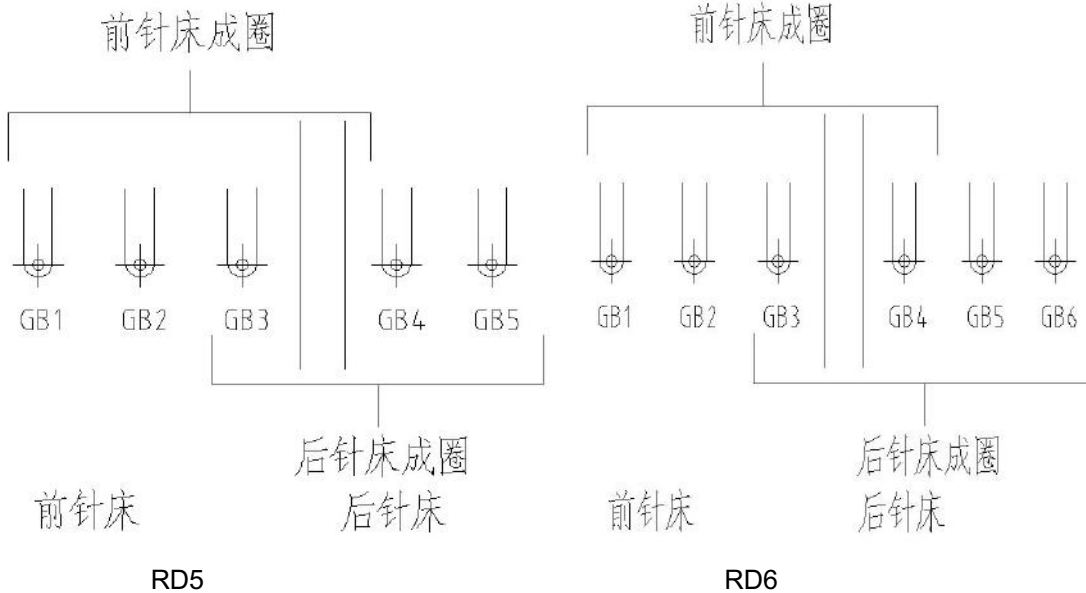
Drawing off : Electronic

Batching : Electronic

Beams size : 21"/φ30"

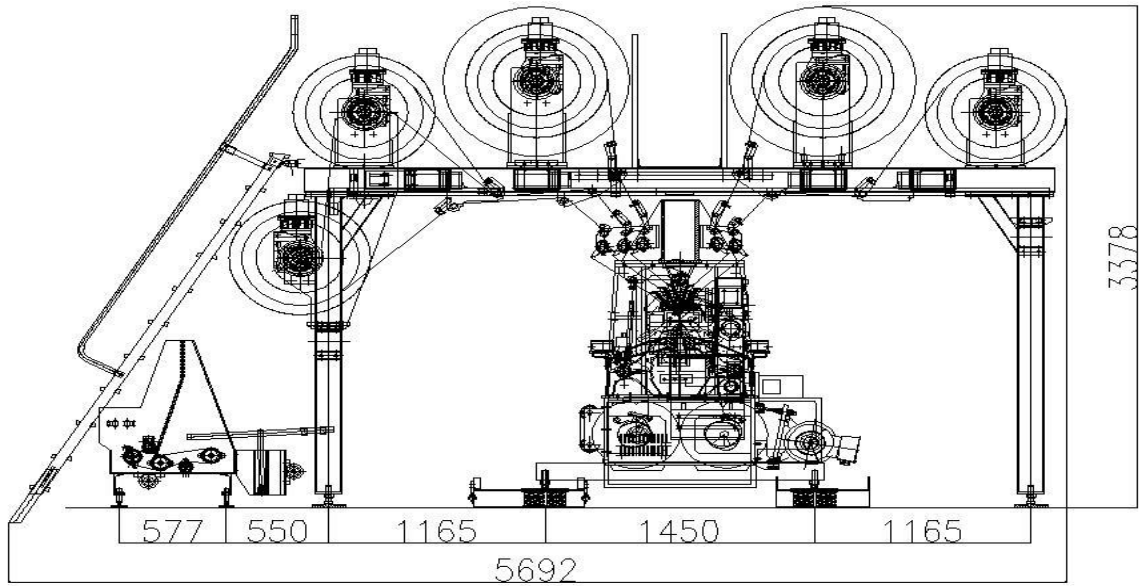
Main motor power: 4kW(90", 110"), 7.5kW(138"), 11kW(190", 210")

2: Bar arrangement:

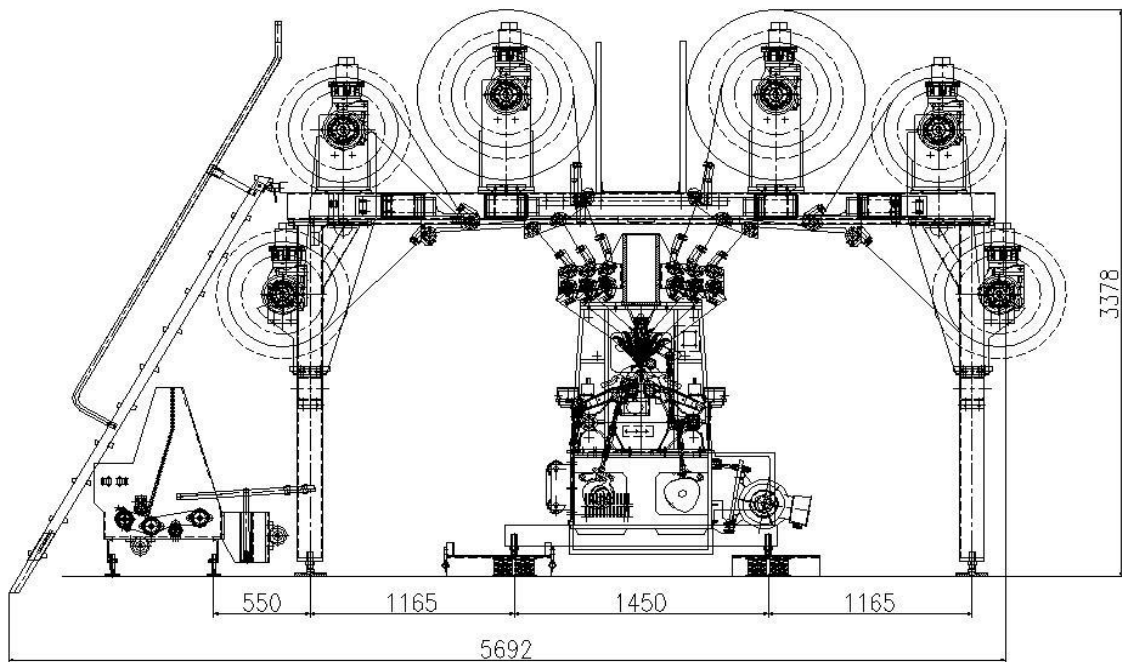




3:Machine size:



RD5



RD6